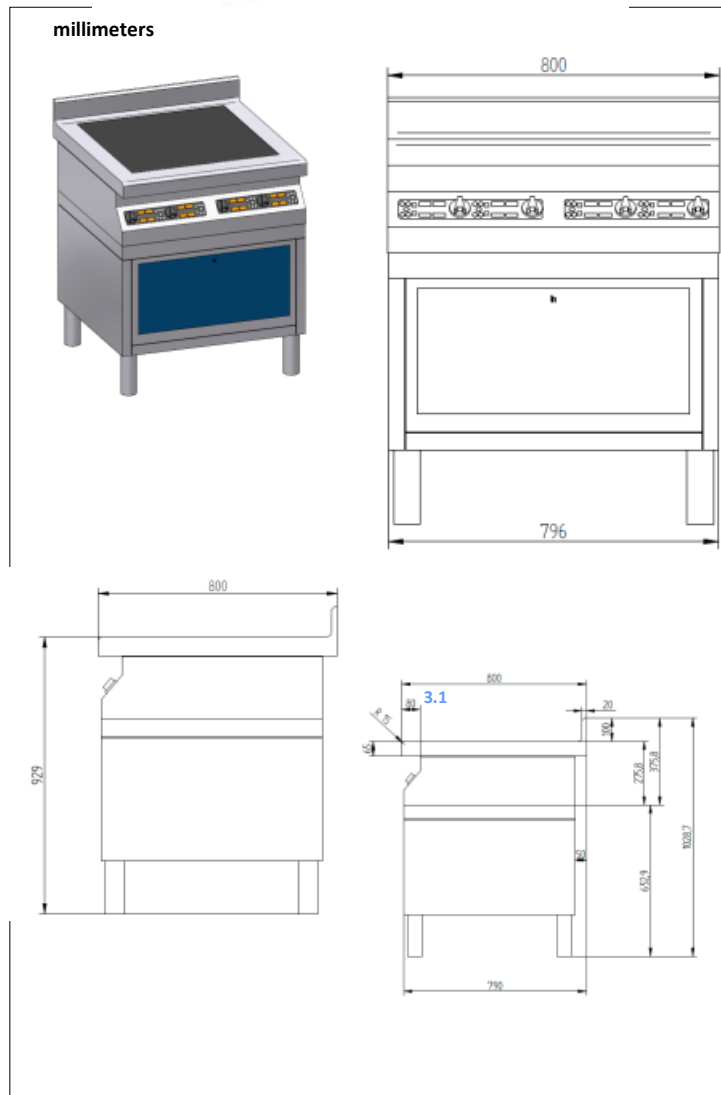


| TECHNICAL FEATURES           |   |
|------------------------------|---|
| <b>External structure</b>    | AISI 304 stainless steel  |
| <b>Dimensions</b>            | 800 x 800 x 929   |
| <b>Power</b>                 | 16000W  |
| <b>Cooking surface</b>       | Vitroceramic glass.   |
| <b>Control panel</b>         | 360° rotary control with display of each cooking zone and 4 digits display.   |
| <b>Amp</b>                   | 24A   |
| <b>Functions</b>             | Power settings (W) or temperature settings (°C).<br>Setting from 25 to 1000 watts.  |
| <b>Power supply</b>          | Works between 250 and 490V / 40 and 70Hz.<br>Compatible with TERA WATT energy optimizer.<br>2 power cords H07RNF5G-2.5 with 2.5mm <sup>2</sup> section each.<br>Compatible with TERA WATT & SICO-TRONIC energy optimizer. |
| <b>Weight</b>                |   |
| <b>Standards</b>             | Complies with European standards for safety of electrical appliances, for EMC, for Rohs and Intertek NSF & UL standards.  |
| <b>Options &amp; Details</b> | Designed and made in France   |



**ADVENTYS**  
 Route de Pagny - 21250 Seurre - France  
[www.adventys.com](http://www.adventys.com)  
[sales@adventys.com](mailto:sales@adventys.com)  
 T: +33 3 80 20 46 15

**Important note**

Adventys reserves the right to modify specifications without notice.



### How your device works

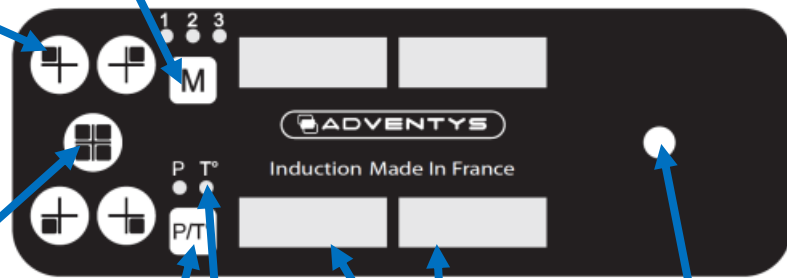
1 MEMORY key: memorization or call of 1 program out of 3, for all 4 zones.

3 LEDS to indicate the number selected program.

4 SELECTION keys (1 for each zone). Short press for selection and start-up and long press for shutdown.

1 SELECTION key, GLOBAL of 4 zones. Short press for selection and start-up and long press to stop 4 zones at the same time.

1 SELECTION key, POWER or TEMPERATURE for selected zone or all zones.



4 DISPLAYS with 4 digits to indicate the power or temperature value selected for each zone.

1 Knob control to adjust the selected zone (P or T).

2 LEDS to indicate the selection POWER or TEMPERATURE

**ADVENTYS**  
 Route de Pagny - 21250 Seurre - France  
[www.adventys.com](http://www.adventys.com)  
[sales@adventys.com](mailto:sales@adventys.com)  
 T: +33 3 80 20 46 15

**Important note**

Adventys reserves the right to modify specifications without notice.

